



CELSA

7

Certified products

Gecertificeerde producten

Produits certifiés

The validity of the present certificate is confirmed if visible on the OCAB-OCBS website

(www.ocab-ocbs.com)

Check with the QR-code hereunder to download it.



www.ocab-ocbs.com/usbe/a/7.pdf

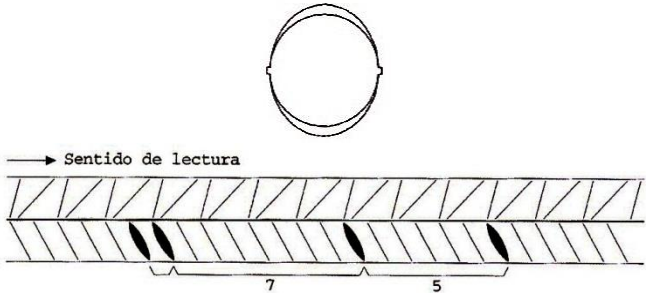
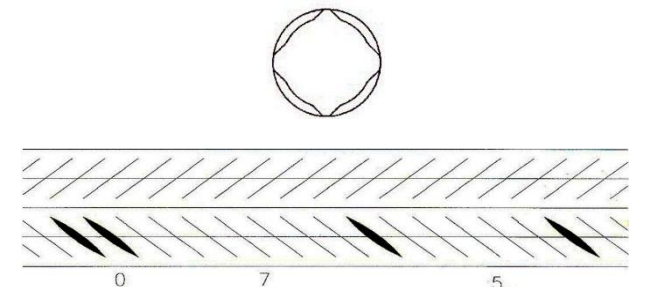
Date of first issue of this certificate: 19920825

Producteur agréé : CELSA S.L. (données du 20160822)

Numéro d'immatriculation : **07**

Poligono Industrial San Vicente s/n
 ES – 08755 CASTELLBISBAL
 (Barcelona)
 ESPAGNE

Phone **00.34/93 773 04 00**
 Fax **00.34/93 773 05 52**
 e-mail **info@gcelsa.com**

<p align="center">LAMINE BE 500 S BARRES</p> <p align="center">Diamètres 8 mm – 32 mm</p>	
<p align="center">LAMINE BE 500 S BOBINES</p> <p align="center">Diamètres 8 mm – 16 mm</p>	

Organisme de vente :

Poligono Industrial San Vicente s/n
 ES – 08755 CASTELLBISBAL
 Barcelona
 ESPAGNE

Phone **00.34/93 773 05 00**
 Fax **00.34/93 773 05 02**
 e-mail **sales@gcelsa.com**

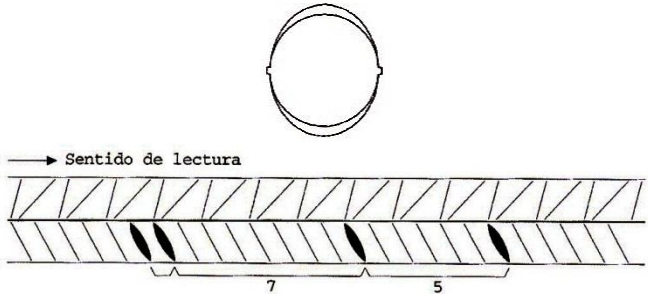
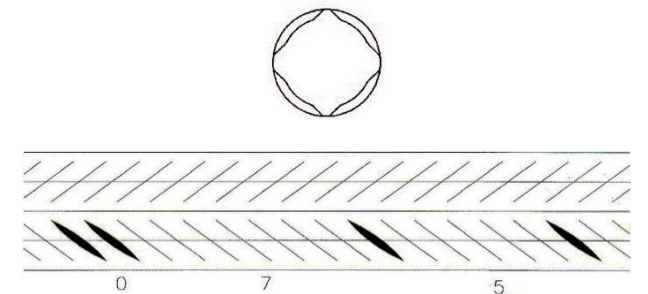
Erkende Producent: CELSA S.L. (gegevens van 20160822)

Immatriculatie nummer: **07**

Poligono Industrial San Vicente s/n
 E – 08755 CASTELLBISBAL
 Barcelona
 SPANJE

Phone 00.34/93 773 04 00
 Fax 00.34/93 773 05 52

e-mail info@gcelsa.com

<p>GEWALST BE 500 S STAVEN</p> <p>Diameter 8 mm – 32 mm</p>	
<p>GEWALST BE 500 S BOBIJNEN</p> <p>Diameter 8 mm – 16 mm</p>	

Verkoopsorganisme:

Poligono Industrial San Vicente s/n
 E – 08755 CASTELLBISBAL
 Barcelona
 SPANJE

Phone 00.34/93 773 05 00
 Fax 00.34/93 773 05 02
 e-mail sales@gcelsa.com