



SIDERURGICA SEVILLANA SA

51

Certified products

Gecertificeerde producten

Produits certifiés

The validity of the present certificate is confirmed if visible on the OCAB-OCBS website

(www.ocab-ocbs.com)

Check with the QR-code hereunder to download it.



www.ocab-ocbs.com/usbe/a/51.pdf

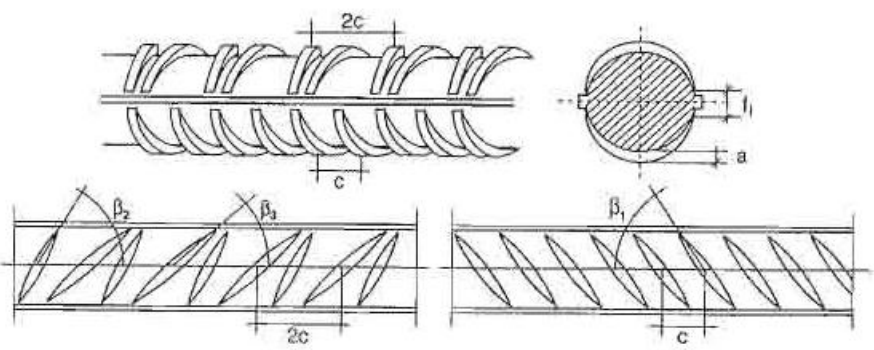
Date of first issue of this certificate: 20181205

Producteur agréé : SIDERURGICA SEVILLANA SA (données du 20181205)

Numéro d'immatriculation : **51**

P.I. Hacienda Dolores calle dos 22
 ES – 41500 ALCALA DE GUADAIRA
 ESPAGNE

Phone 00.34/954 979 300
 Fax 00.34/954 979 315
 e-mail carlos.sanchez@rivagroup.com
informacion.sise@rivagroup.com

<p>LAMINE BE 500 S</p> <p>BARRES</p> <p>Diamètres 8 mm – 32 mm</p>	 <p>Marking with widened ribs 0/7/4</p>
---	--

Organisme de vente :

P.I. Hacienda Dolores calle dos 22
 ES – 41500 ALCALA DE GUADAIRA
 ESPAGNE

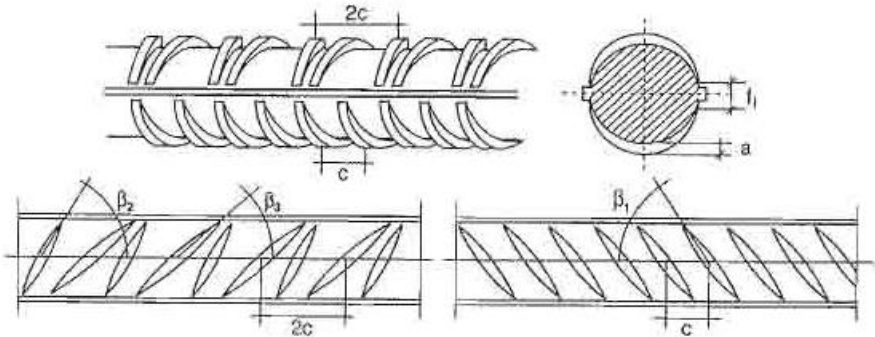
Phone 00.34/954 979 300
 Fax 00.34/954 979 315
 e-mail carlos.sanchez@rivagroup.com
informacion.sise@rivagroup.com

Erkende producent: SIDERURGICA SEVILLANA SA (gegevens van 20181205)

Immatriculatie nummer: **51**

P.I. Hacienda Dolores calle dos 22
 ES – 41500 ALCALA DE GUADAIRA
 SPANJE

Phone 00.34/954 979 300
 Fax 00.34/954 979 315
 e-mail carlos.sanchez@rivagroup.com
informacion.sise@rivagroup.com

<p>GEWALST BE 500 S</p> <p>STAVEN</p> <p>Diameter 8 mm – 32 mm</p>	 <p>Marking with widened ribs 0/7/4</p>
---	---

Verkoopsorganisme:

P.I. Hacienda Dolores calle dos 22
 ES – 41500 ALCALA DE GUADAIRA
 SPANJE

Phone 00.34/954 979 300
 Fax 00.34/954 979 315
 e-mail carlos.sanchez@rivagroup.com
informacion.sise@rivagroup.com