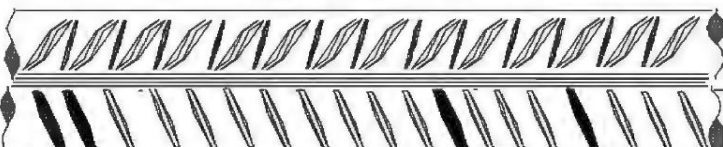


Producteur agréé : ÇolaKoğlu Metalurji A.Ş.
(données du 20190917)

Numéro d'immatriculation : **33**

Rüzgarlibahçe Mahallesi, Kavak Solak, No :16 Kat :5
TR – 34805 BEYKOZ
TURQUIE

Phone +90/216 444 26 27
Fax +90/216 537 14 01
Mail dtaskiran@colakoglu.com.tr

| | |
|--|--|
| <p>LAMINES BE 500 S</p> <p>BARRES</p> <p>Diamètre 8 mm – 32 mm</p> |  <p>Country Code: 9, Work No: 3</p> |
|--|--|

Organisme de vente:

Çolakoğlu Metalurji A.Ş.

Rüzgarlibahçe Mahallesi, Kavak Solak, No :16
Kat :5
TR – 34805 BEYKOZ
TURQUIE

Phone +90/216 444 26 27
Fax +90/216 537 14 01
Mail dtaskiran@colakoglu.com.tr

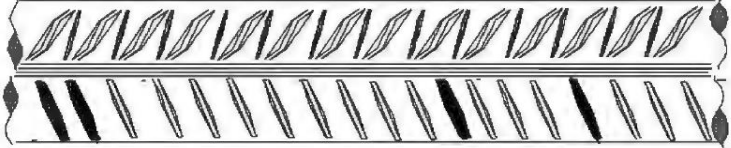
Erkende Producent: Çolakoğlu Metalurji A.Ş.

(gegevens van 20190917)

Immatriculatie nummer: **33**

Rüzgarlibahçe Mahallesi, Kavak Solak, No :16 Kat :5
TR – 34805 BEYKOZ
TURKIJE

Phone +90/216 444 26 27
Fax +90/216 537 14 01
Mail dtaskiran@colakoglu.com.tr

| | |
|--|---|
| <p>GEWALST BE 500 S</p> <p>STAVEN</p> <p>Diameter 8 mm – 32 mm</p> |  <p>Country Code: 9, Work No: 3</p> |
|--|---|

Verkoopsorganisme:

Çolakoğlu Metalurji A.Ş.

Rüzgarlibahçe Mahallesi, Kavak Solak, No :16
Kat :5
TR – 34805 BEYKOZ
TURKIJE

Phone +90/216 444 26 27
Fax +90/216 537 14 01
Mail dtaskiran@colakoglu.com.tr