

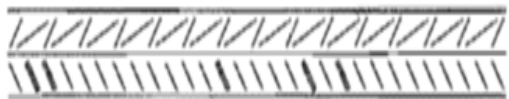
Producteur agréé : KROMAN ÇELIK San.A.S.

(données du 20230130)

Numéro d'immatriculation : **22**

Emek Mah. Aşirođlu Cad(Street) No:155
TR – 41700 DARICA-KOCAELI
TURQUIE

Phone +90/262 679 20 00
Fax +90/262 679 20 98
Mail ali.ozturk@kromancelik.com.tr

<p>LAMINE BE 500 S BARRES</p> <p>Diamètres 8 mm – 40 mm</p> <p>BOBINES</p> <p>Diamètres 8 mm – 20 mm</p>	 <p>941</p>
---	---

Organisme de vente :

Kroman Çelik San.A.S.

Emek Mah. Aşirođlu Cad(Street) No:155
TR – 41700 DARICA-KOCAELI
TURQUIE

Phone +90/262 679 20 00
Fax +90/262 679 20 98
Mail hasan.dinc@kromancelik.com.tr


Erkende Producent: KROMAN ÇELIK San. A.S.

(gegevens van 20230130)

Immatriculatie nummer: **22**

Emek Mah. Aşıroğlu Cad(Steet) No:155
TR – 41700 DARICA-KOCAELI
TURKIJE

Phone +90/262 679 20 00
Fax +90/262 679 20 98
Mail ali.ozturk@kromancelik.com.tr

<p>GEWALST BE 500 S STAVEN</p> <p>Diameter 8 mm – 40 mm</p> <p>ROLLEN</p> <p>Diameter 8 mm – 20 mm</p>	 <p>941</p>
---	---

Verkoopsorganisme:

Kroman Çelik San. A.S.

Emek Mah. Aşıroğlu Cad(Steet) No:155
TR – 41700 DARICA-KOCAELI
TURKIJE

Phone +90/262 679 20 00
Fax +90/262 679 20 98
Mail hasan.dinc@kromancelik.com.tr